

## 60A, 45V Low Forward Voltage Schottky Rectifier

### FEATURES

- Planar MOS schottky barrier diode
- Low forward voltage drop
- High temperature soldering guaranteed:  
 270°C/10 seconds for TO-220AB and ITO-220AB  
 260°C/10 seconds for TO-263AB
- RoHS compliant

### MECHANICAL DATA

- Case: TO-220B, ITO-220AB, TO-263AB
- Case material: molding compound meets UL 94V-0 flammability rating
- Polarity: as marked on case body

### TYPICAL APPLICATION

General purpose use in rectification for SMPS, lighting, adapter, charger, home appliance, office equipment, high frequency and free wheeling diode circuits.

### MAXIMUM RATINGS

$T_A=25^\circ\text{C}$  unless otherwise noted

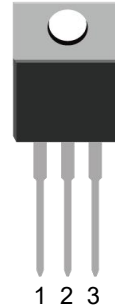
Parameter	Symbol	Value	Unit
Repetitive Peak Reverse Voltage	$V_{RRM}$	45	V
Average Forward Rectified Current	$I_{F(AV)}$	60	A
Peak Forward Surge Current (8.3 ms single half sine-wave superimposed on rated load)	$I_{FSM}$	400	A
Operating Junction Temperature Range	$T_J$	-55 to +150	°C
Storage Temperature Range	$T_{STG}$	-55 to +150	°C

### ELECTRICAL CHARACTERISTICS

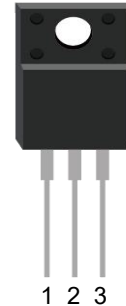
$T_A=25^\circ\text{C}$  unless otherwise noted

Parameter	Test Conditions	Symbol	Value		Unit
			Typ.	Max.	
Forward Voltage@ $I_F=30\text{A}$	$T_A=25^\circ\text{C}$	$V_F$	0.51	0.54	V
	$T_A=125^\circ\text{C}$		0.43	0.46	
Reverse Current @ $V_{RRM}$	$T_A=25^\circ\text{C}$	$I_R$	100	300	$\mu\text{A}$
	$T_A=125^\circ\text{C}$		60	150	mA
Typical Thermal Resistance		$R_{\theta JC}$	2		°C/W
			4		
			15		

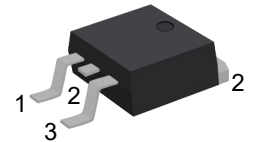
TO-220AB



ITO-220AB



TO-263AB



P/N	Package
SP6045CT	TO-220AB
SP6045FCT	ITO-220AB
SP6045TA	TO-263AB

RoHS  
COMPLIANT

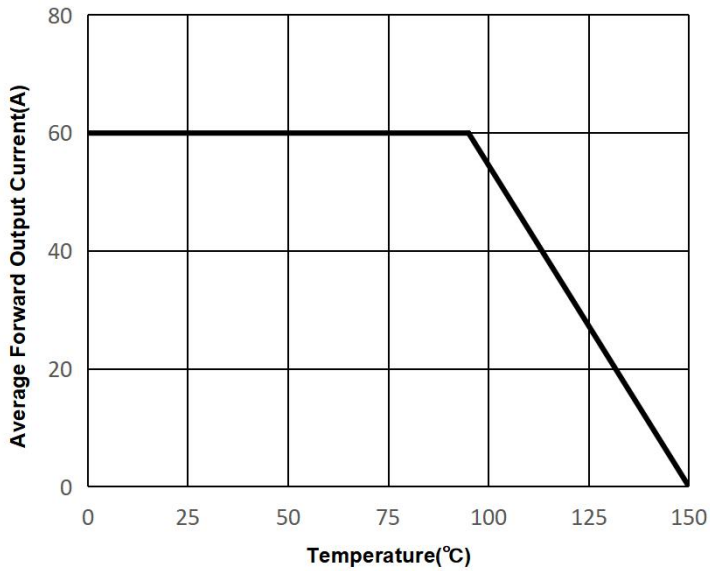
HALOGEN  
FREE  
AVAILABLE

# 60A, 45V Low Forward Voltage Schottky Rectifiers

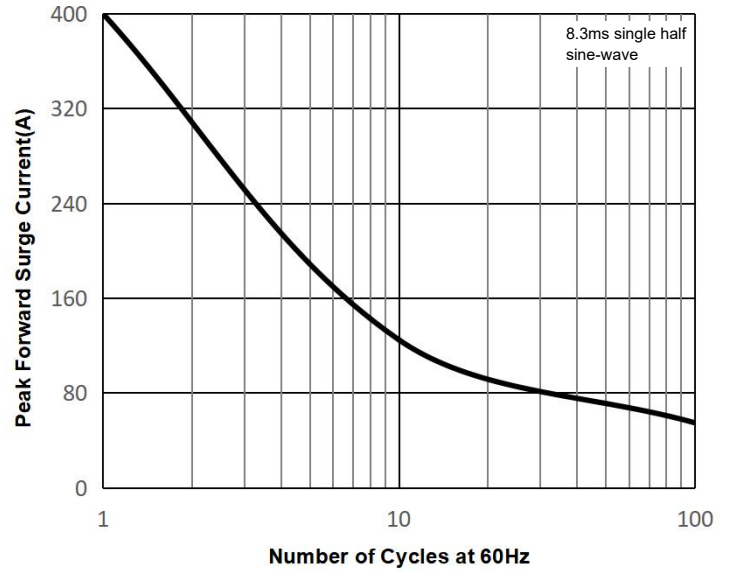
## RATINGS AND CHARACTERISTIC CURVES

$T_A=25^\circ\text{C}$  unless otherwise noted

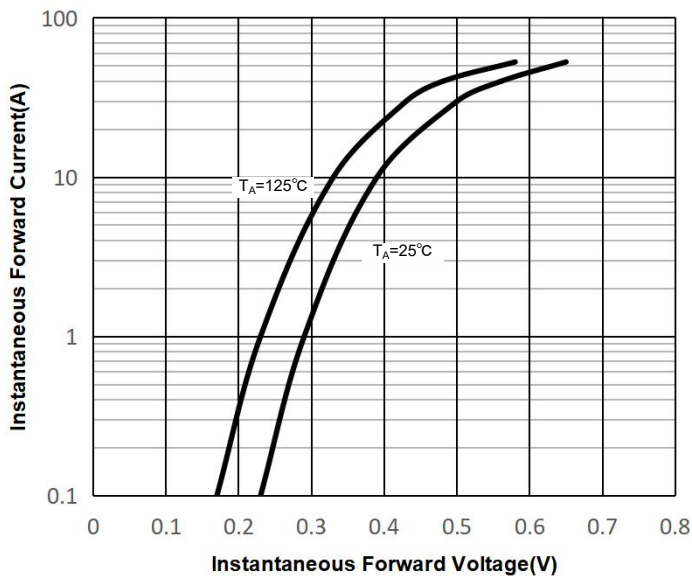
**FIG.1: Forward Output Current Derating Curve**



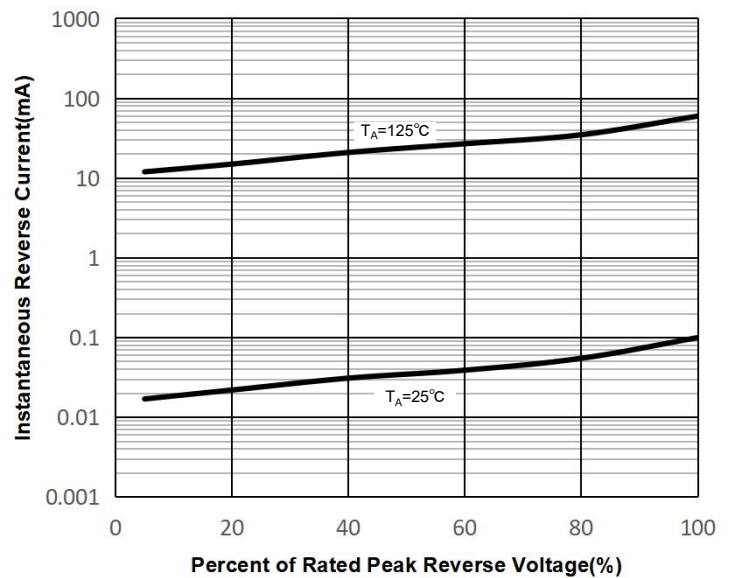
**FIG.2: Maximum Non-Repetitive Peak Forward Surge Current**



**FIG.3: Typical Forward Characteristics**



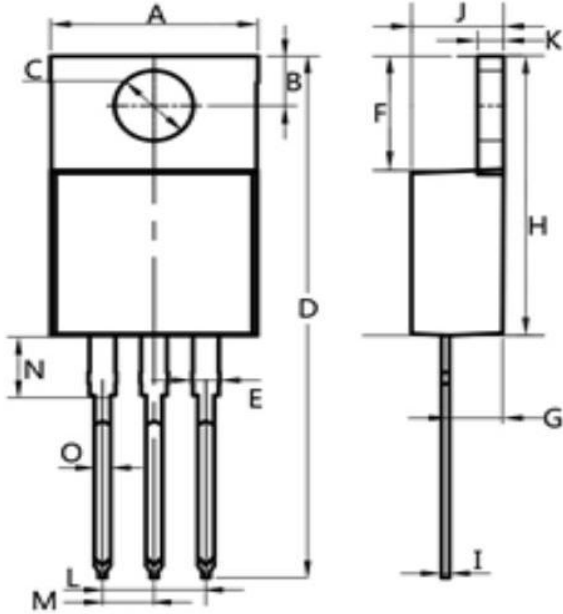
**FIG.4: Typical Reverse Characteristics**



**60A, 45V Low Forward Voltage Schottky Rectifier**

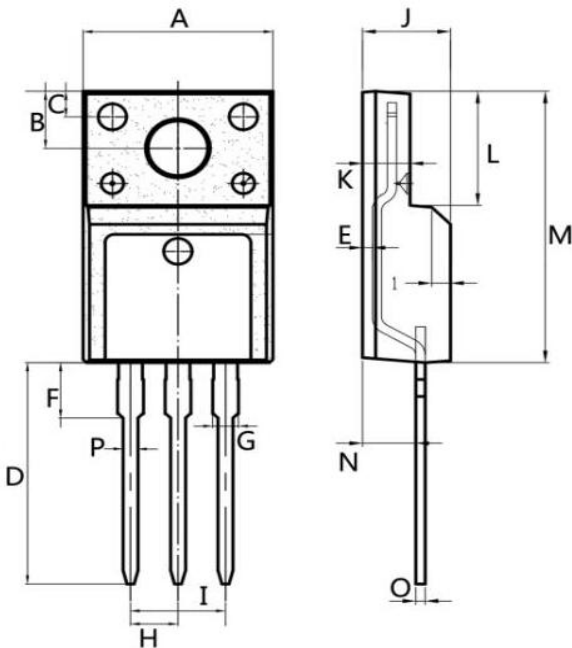
**PACKAGE OUTLINE DIMENSIONS**

**TO-220AB**



Dim.	Min.	Max.
A	10.0	10.4
B	2.5	3.0
C	3.5	4.0
D	28.0	30.0
E	1.1	1.5
F	6.2	6.6
G	2.9	3.3
H	15.0	16.0
I	0.35	0.45
J	4.3	4.7
K	1.2	1.4
L	Typ 5.08	
M	Typ 2.54	
N	3.1	3.5
O	0.7	0.9
All Dimensions in millimeter		

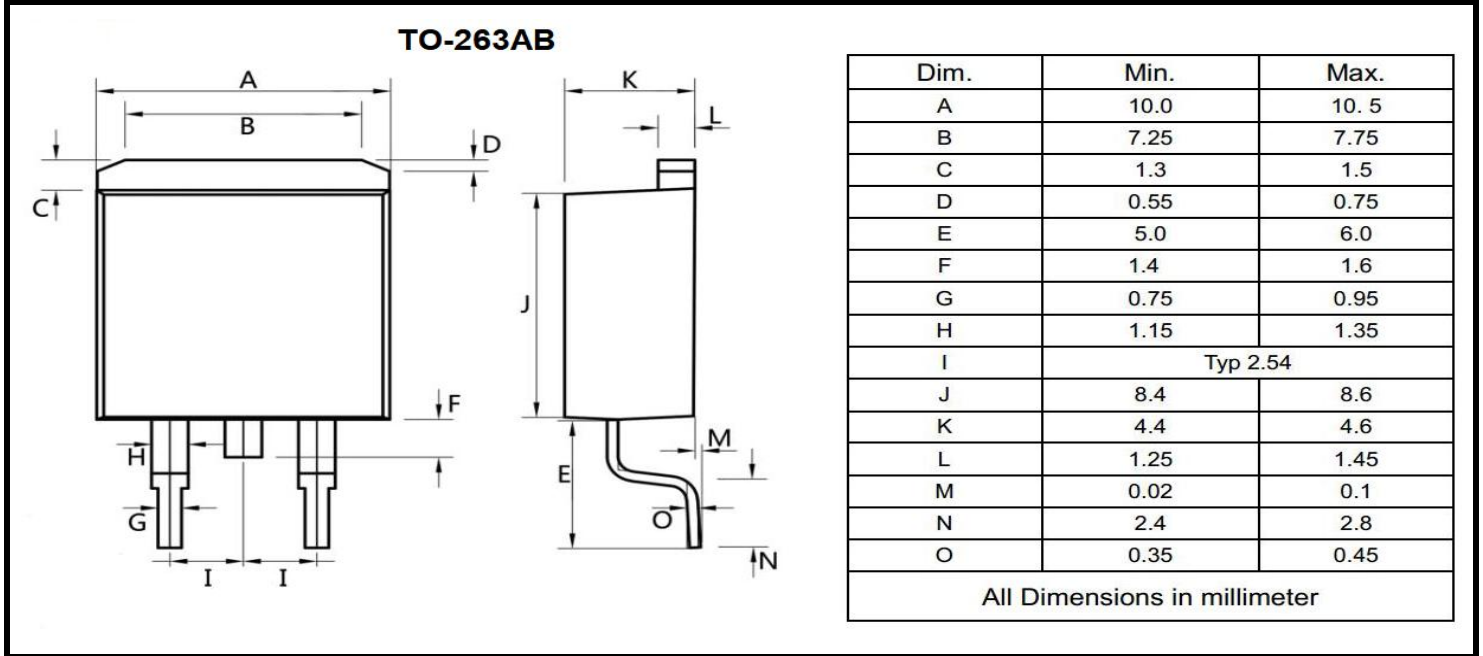
**ITO-220AB**



Dim.	Min.	Max.
A	9.9	10.3
B	2.9	3.5
C	1.15	1.45
D	12.75	13.25
E	0.55	0.75
F	3.1	3.5
G	1.25	1.45
H	Typ 2.54	
I	Typ 5.08	
J	4.55	4.75
K	2.4	2.7
L	6.35	6.75
M	15.0	16.0
N	2.75	3.15
O	0.45	0.60
P	0.7	0.9
All Dimensions in millimeter		

**60A, 45V Low Forward Voltage Schottky Rectifier**

**PACKAGE OUTLINE DIMENSIONS**



**PACKING INFORMATION**

Package	Tube(PCS)	Inner Box(PCS)	Carton(PCS)
TO-220AB	50	1,000	5,000
ITO-220AB	50	1,000	5,000
TO-263AB	50	1,000	5,000