

5A, 60V Low Forward Voltage Schottky Rectifier

FEATURES

- Trench MOS Schottky barrier diode
- Low forward voltage drop
- Moisture sensitivity: level 1, per J-STD-020
- High temperature soldering guaranteed: 260°C/10 seconds
- RoHS compliant
- Halogen-free according to IEC 61249-2-21 definition

SMAF

**RoHS
COMPLIANT**
**HALOGEN
FREE**

MECHANICAL DATA

- Case: SMAF
- Case material: molding compound meets UL 94V-0 flammability rating
- Polarity: color band denotes cathode end

TYPICAL APPLICATION

It's designed to meet the general requirements of commercial applications such as SMPS, adapter, charger, home appliance and lighting.

MAXIMUM RATINGS

$T_A=25^{\circ}\text{C}$ unless otherwise noted

| Parameter | Symbol | Value | Unit |
|--|-------------|-------------|--------------------|
| Repetitive Peak Reverse Voltage | V_{RRM} | 60 | V |
| Average Forward Rectified Current | $I_{F(AV)}$ | 5 | A |
| Peak Forward Surge Current (8.3 ms single half sine-wave superimposed on rated load) | I_{FSM} | 80 | A |
| Operating Junction Temperature Range | T_J | -55 to +150 | $^{\circ}\text{C}$ |
| Storage Temperature Range | T_{STG} | -55 to +150 | $^{\circ}\text{C}$ |

ELECTRICAL CHARACTERISTICS

$T_A=25^{\circ}\text{C}$ unless otherwise noted

| Parameter | Test Conditions | Symbol | Value | | Unit |
|-----------------------------------|---------------------------|-----------------|-------|------|-----------------------------|
| | | | Typ. | Max. | |
| Forward Voltage @ $I_F=5\text{A}$ | $T_A=25^{\circ}\text{C}$ | V_F | 0.5 | 0.53 | V |
| | $T_A=125^{\circ}\text{C}$ | | 0.45 | 0.48 | |
| Reverse Current @ V_{RRM} | $T_A=25^{\circ}\text{C}$ | I_R | 35 | 100 | μA |
| | $T_A=125^{\circ}\text{C}$ | | 20 | 70 | mA |
| Typical Thermal Resistance | | $R_{\theta JA}$ | 85 | | $^{\circ}\text{C}/\text{W}$ |

5A, 60V Low Forward Voltage Schottky Rectifier

RATINGS AND CHARACTERISTIC CURVES

$T_A=25^\circ\text{C}$ unless otherwise noted

FIG.1: Forward Output Current Derating Curve

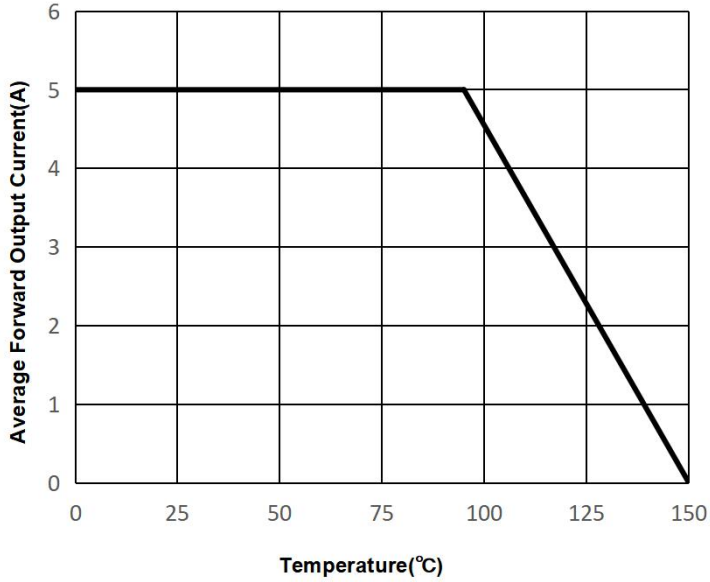


FIG.2: Maximum Non-Repetitive Peak Forward Surge Current

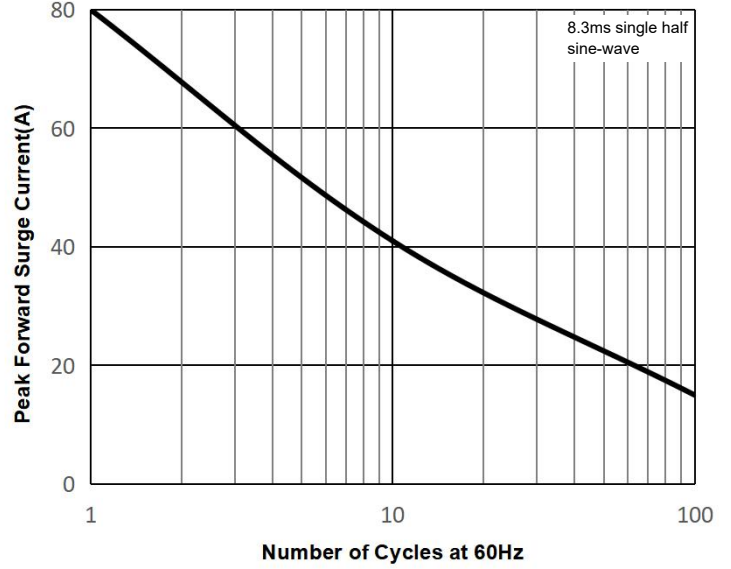


FIG.3: Typical Forward Characteristics

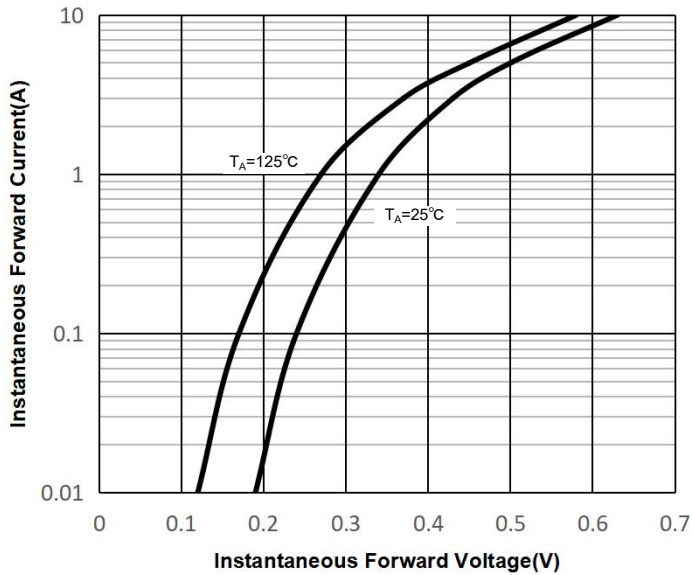
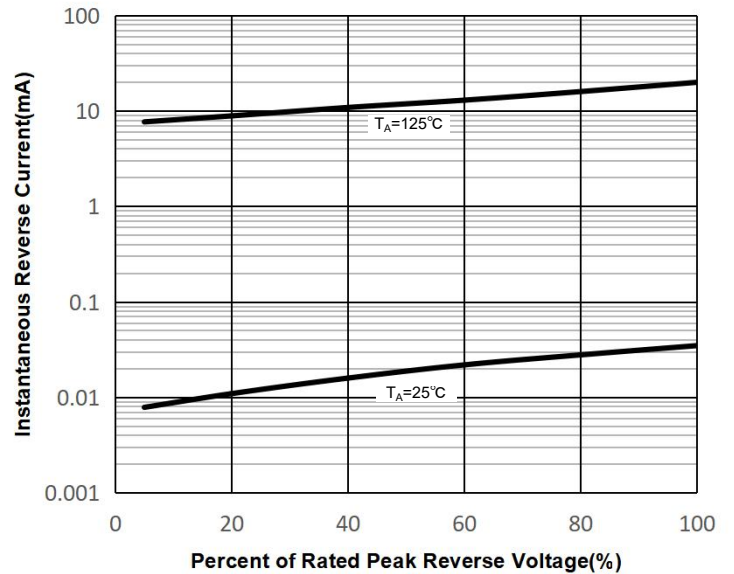
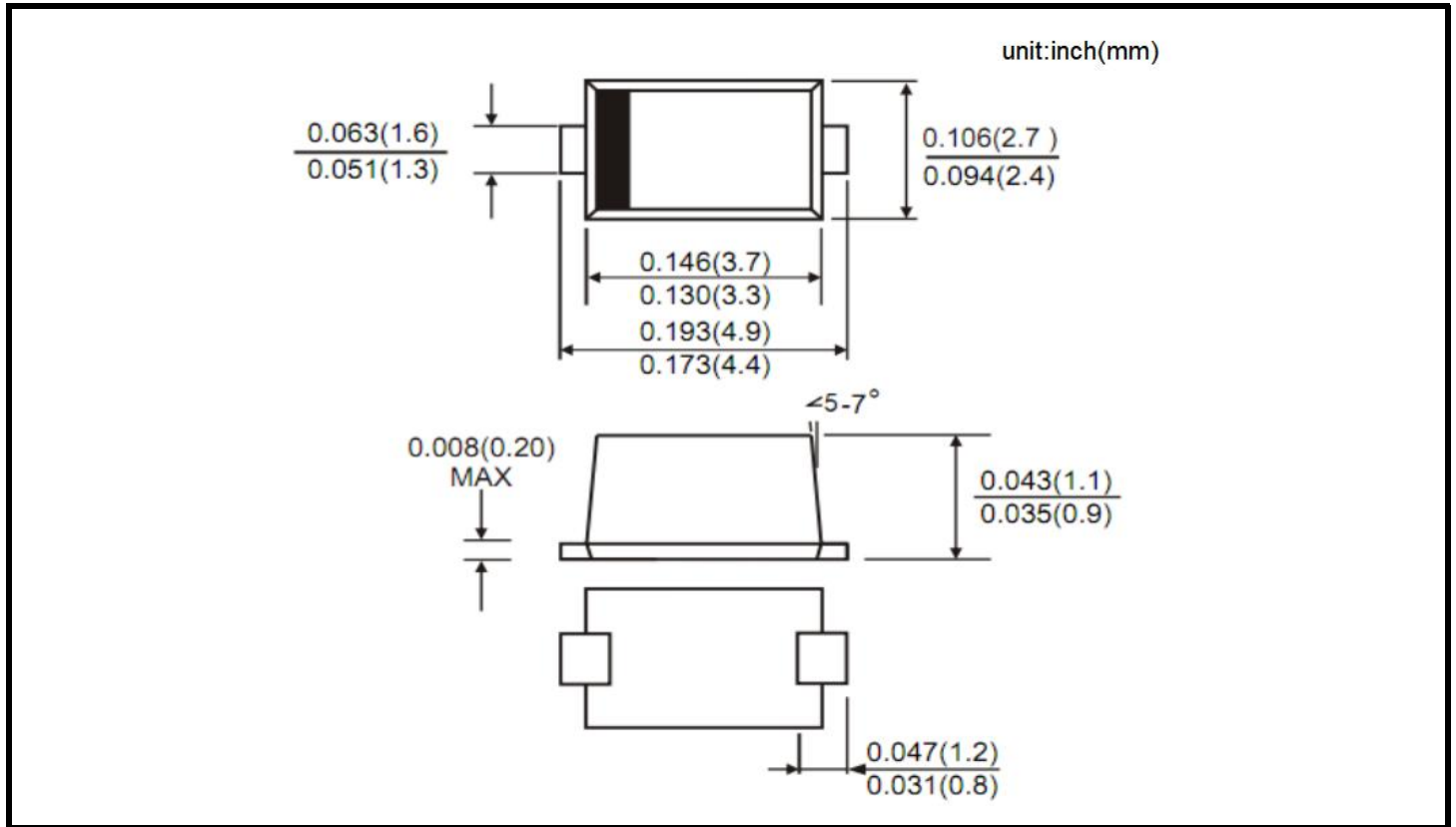


FIG.4: Typical Reverse Characteristics



5A, 60V Low Forward Voltage Schottky Rectifier

PACKAGE OUTLINE DIMENSIONS



PACKING INFORMATION

| Package | Reel(PCS) | Inner Box(PCS) | Carton(PCS) |
|---------|-----------|----------------|-------------|
| SMAF | 3,000 | 15,000 | 60,000 |