

# 5A, 200V Low Forward Voltage Schottky Rectifier

## FEATURES

- Planar MOS schottky barrier diode
- Low forward voltage drop
- Low reverse leakage
- High temperature soldering guaranteed: 270°C/10 seconds
- RoHS compliant

## MECHANICAL DATA

- Case: DO-201AD
- Polarity: color band denotes cathode end
- Case material: molding compound meets UL 94V-0 flammability rating

## TYPICAL APPLICATION

General purpose use in AC to DC wave rectification for SMPS, lighting, adapter, charger, home appliance, office equipment and telecommunication.

## MAXIMUM RATINGS

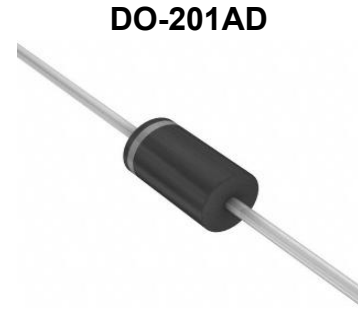
$T_A=25^\circ\text{C}$  unless otherwise noted

Parameter	Symbol	Value	Unit
Repetitive Peak Reverse Voltage	$V_{RRM}$	200	V
Average Forward Rectified Current	$I_{F(AV)}$	5	A
Peak Forward Surge Current (8.3 ms single half sine-wave superimposed on rated load)	$I_{FSM}$	150	A
Operating Junction Temperature Range	$T_J$	-55 to +150	°C
Storage Temperature Range	$T_{STG}$	-55 to +150	°C

## ELECTRICAL CHARACTERISTICS

$T_A=25^\circ\text{C}$  unless otherwise noted

Parameter	Test Conditions	Symbol	Value		Unit
			Typ.	Max.	
Forward Voltage@ $I_F=5\text{A}$	$T_A=25^\circ\text{C}$	$V_F$	0.78	0.82	V
	$T_A=125^\circ\text{C}$		0.67	0.7	
Reverse Current @ $V_{RRM}$	$T_A=25^\circ\text{C}$	$I_R$	1	10	$\mu\text{A}$
	$T_A=125^\circ\text{C}$		0.7	5	mA
Typical Thermal Resistance		$R_{\theta JA}$	50		°C/W



DO-201AD

RoHS  
COMPLIANT

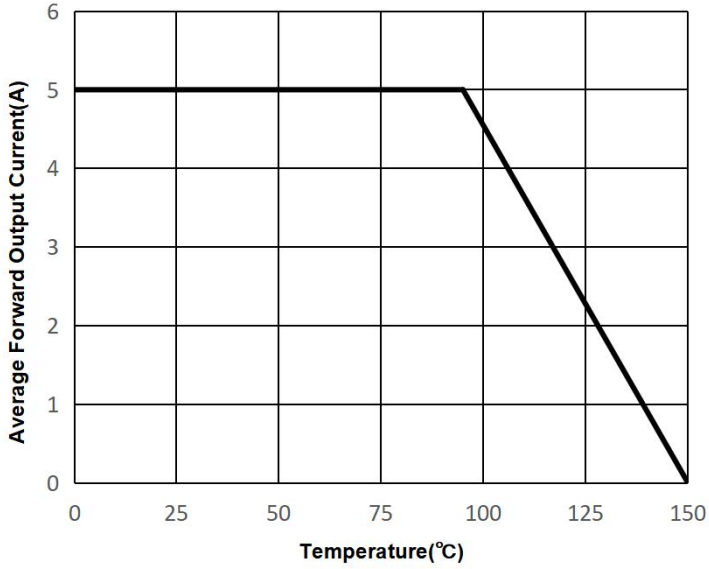
HALOGEN  
FREE  
AVAILABLE

# 5A, 200V Low Forward Voltage Schottky Rectifier

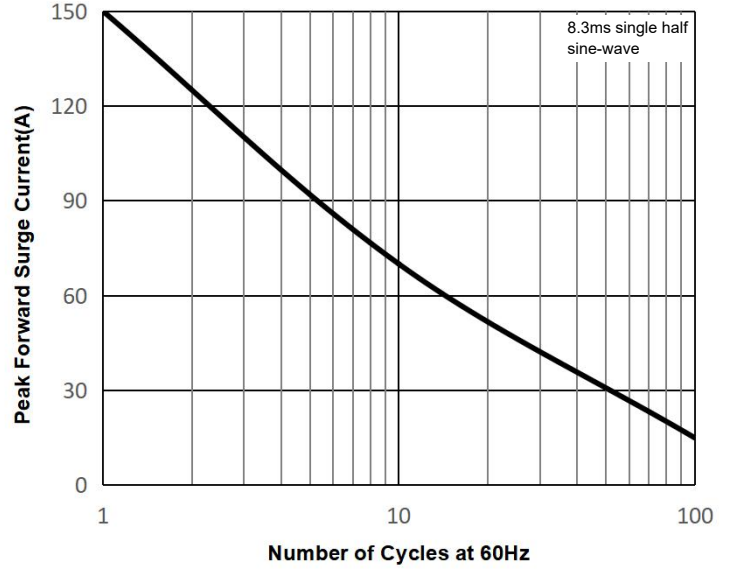
## RATINGS AND CHARACTERISTIC CURVES

$T_A=25^\circ\text{C}$  unless otherwise noted

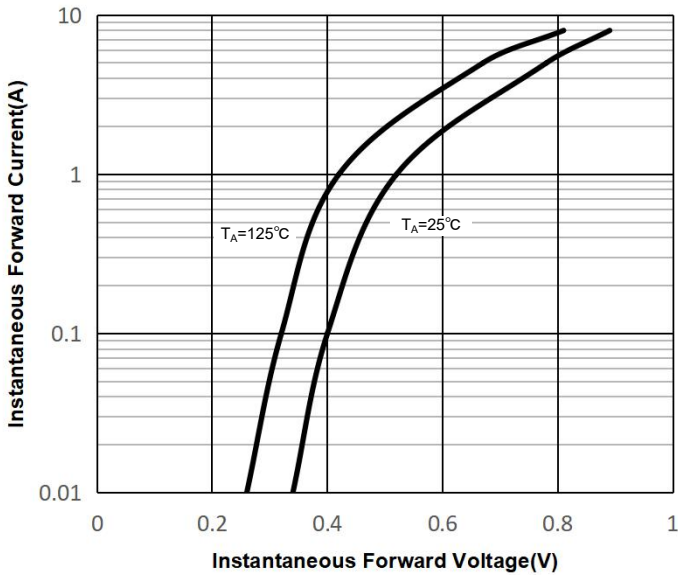
**FIG.1: Forward Output Current Derating Curve**



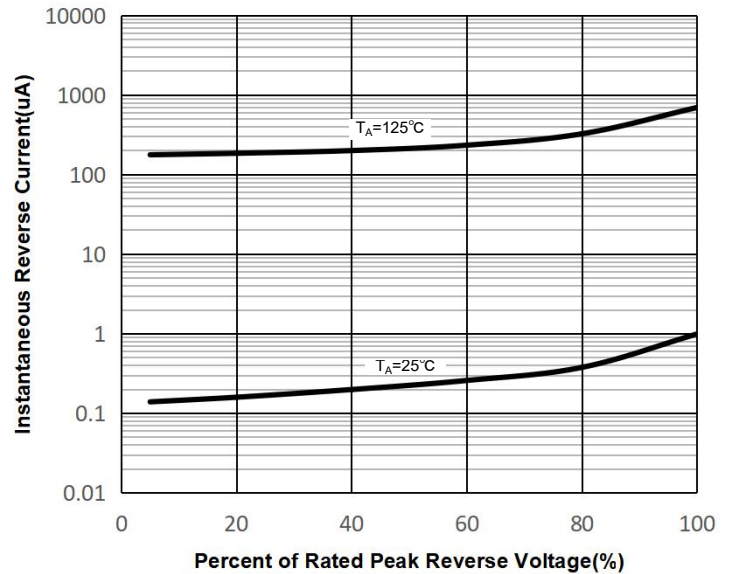
**FIG.2: Maximum Non-Repetitive Peak Forward Surge Current**



**FIG.3: Typical Forward Characteristics**

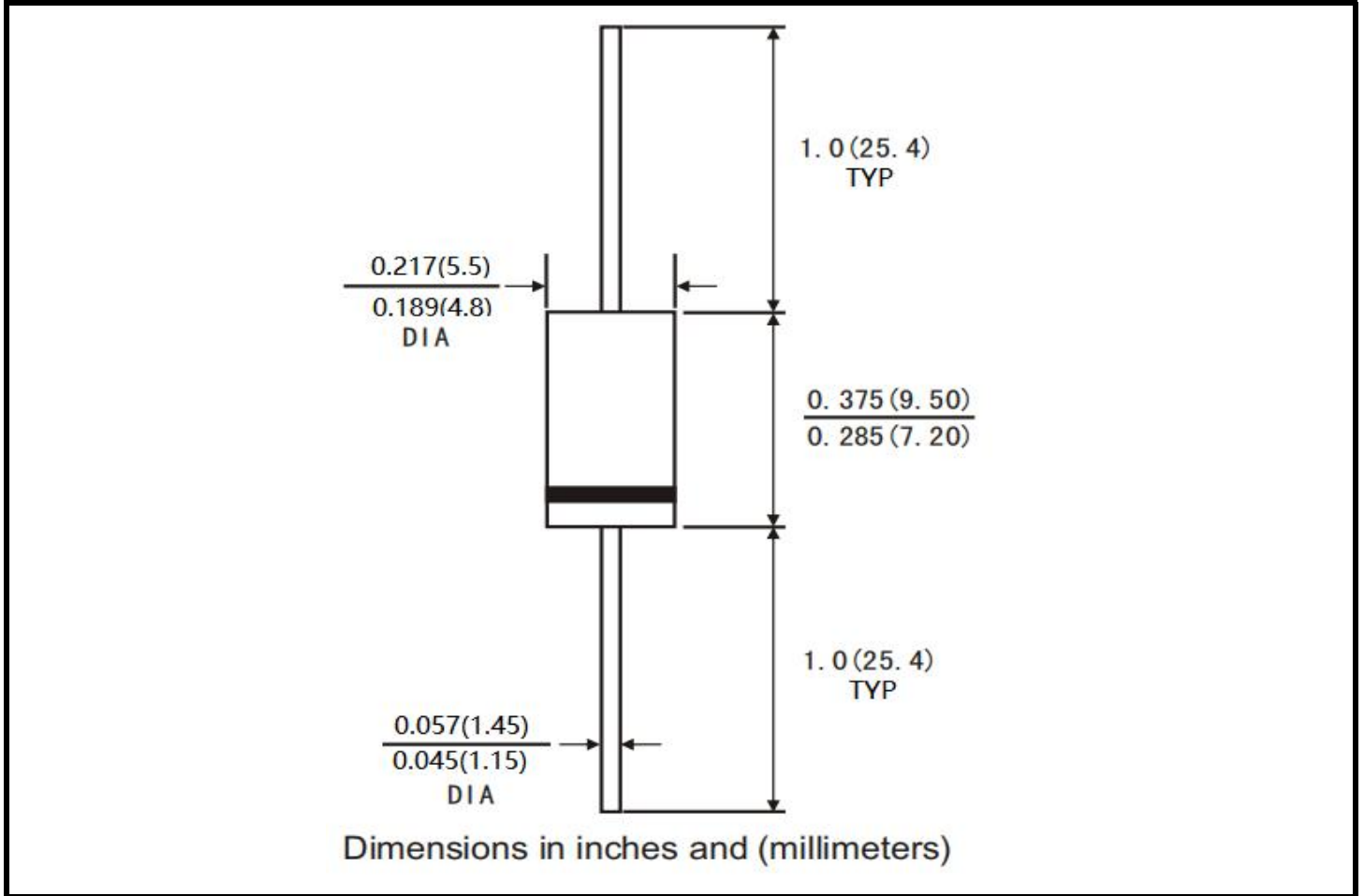


**FIG.4: Typical Reverse Characteristics**



**5A, 200V Low Forward Voltage Schottky Rectifier**

**PACKAGE OUTLINE DIMENSIONS**



**PACKING INFORMATION**

Package	Inner Box(PCS)	Carton(PCS)
DO-201AD	1,250	12,500